

C-911 Locking LED Connector

Specification:

Housing: UL #E41797(M) TORAY 94V-0.

Terminal: 1. High Strength Copper Alloy.
2. Finish 0.000040 inch min Electro-Tin Plate Over.

Crimp Resistance: 5.0mΩ Max.

Contact Resistance: 20mΩ Max.

LED-Pin: Suggest Inserting Length 8.00~8.50mm.

Wire Range: 22 AWG--26 AWG.

Insulation Resistance: 1,000MΩ min 500V DC.

Temperature Rating: -30°C to +105°C

Voltage Rating: 125V AC

Current Rating: 22AWG 2.5A.

24AWG 2.0A.

26AWG 1.5A.

Terminal Retention to Housing: 3KG min.

LED Pull-Out Force: From C-911 Connector 1.50~2.25KG

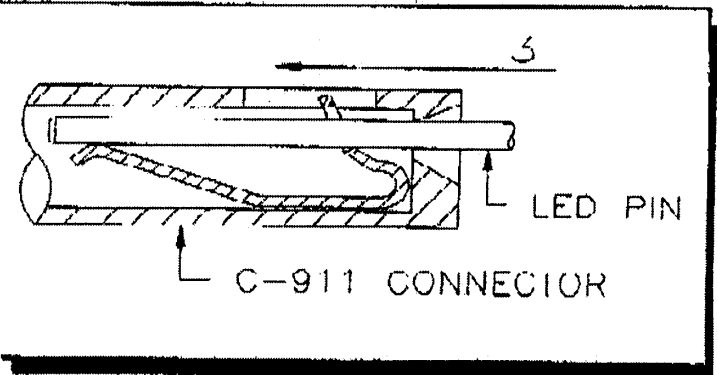
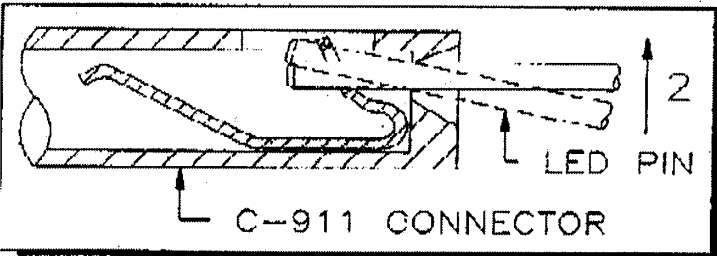
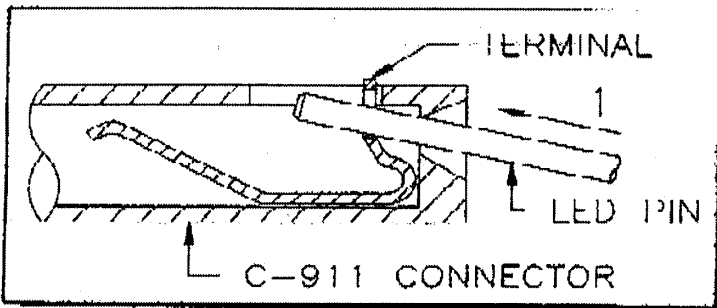
Wire Pull Out Force (Crimp): 22AWG 4KG min.

24AWG 3KG min.

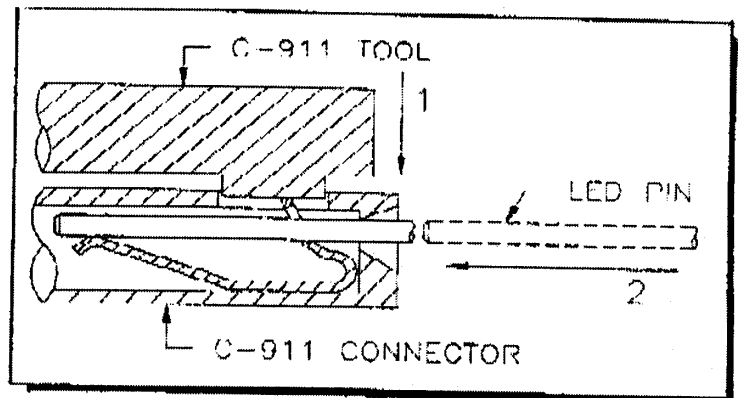
26AWG 2KG min.

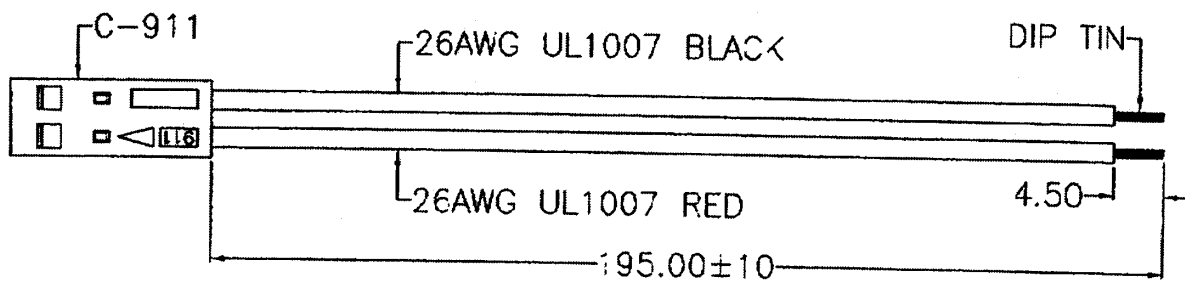
C-911 LOCKING LED CONNECTOR USE EXPLAIN

■ Inserting Without Tool



■ Inserting With Tool





NOTE:
PART NC.: 55-0167
SCALE: DO NOT SCALE
UNIT: mm