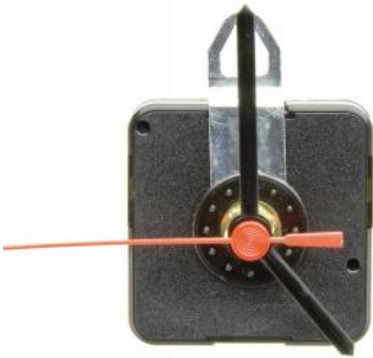
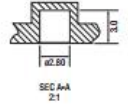
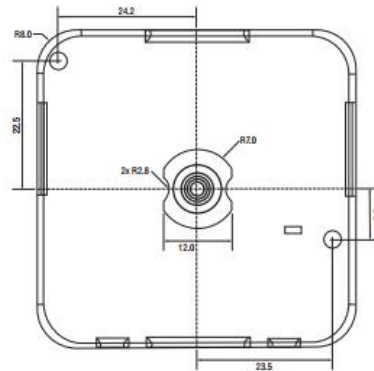
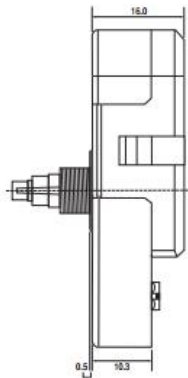
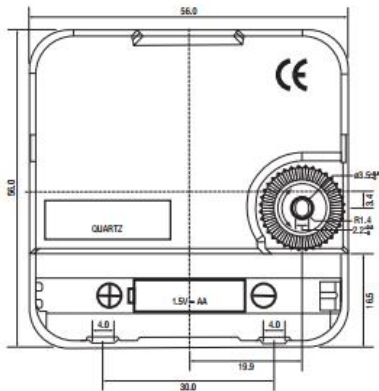


# Quartz Clock Movement



## Specifications

Crystal oscillator: 32.758kHz  
 Accuracy at 24°±2: ±30sec/mnth at 1.5V  
 Operating voltage: 1.3V to 1.7V  
 Operating temperature: -10°C TO +50°C  
 Motor type: Two-pole stepping motor  
 Average consumption current  
   Normal: Less than 16µA at 1.5V  
   Output torque: Over 160µNm  
 Battery size: AA size (R6)  
 Battery life: Over 1 year  
 Allowed hand  
   Minute: Less than 160mm  
   Second: Less than 130mm

Weight  
 6g  
 6g

