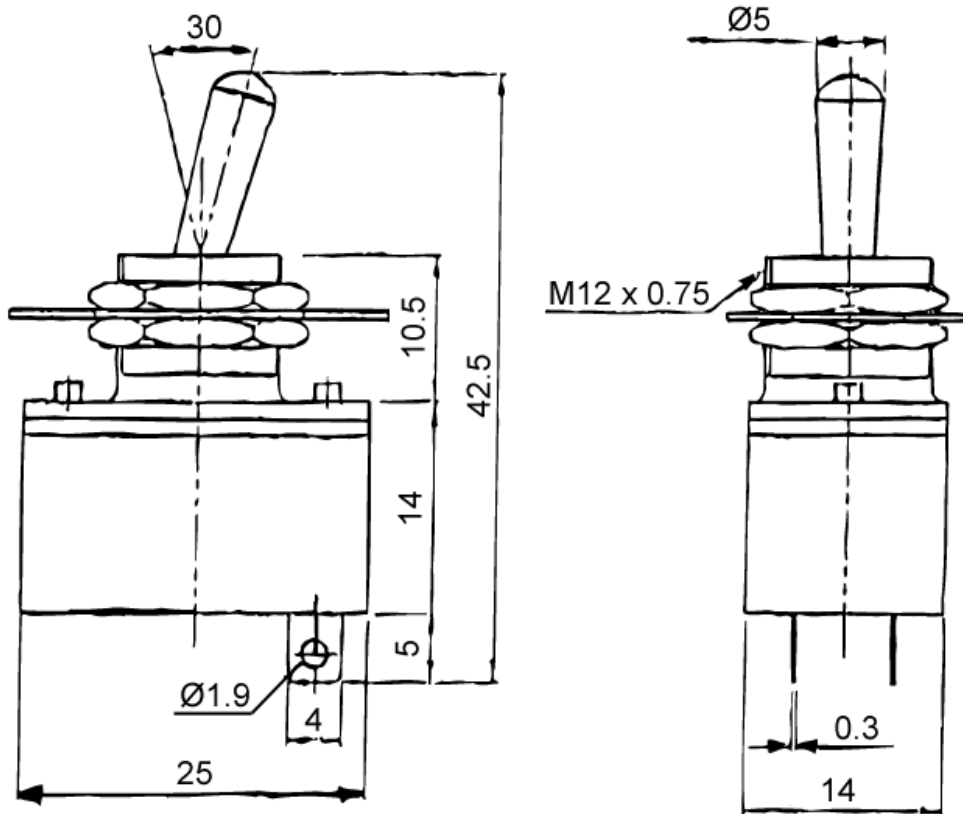


# Standard Toggle Switch

## Characteristics

No of Solder Tags	:	2
Solder Tag Information	:	Silver content plating
Switch Type	:	Single Pole, Single Throw.
Current Rating	:	3.0 amp @ 125Vac 1.5 amp @ 250Vac
Contact Resistance	:	50Ω max.
Insulation Resistance	:	100MΩ @ 500Vdc
Dielectric Strength	:	1000Vac / 1min

## Technical Drawing (Dimensions in mm)



Worst Case Tolerance : 0.5mm

## Panel Cutout Information (mm)

