

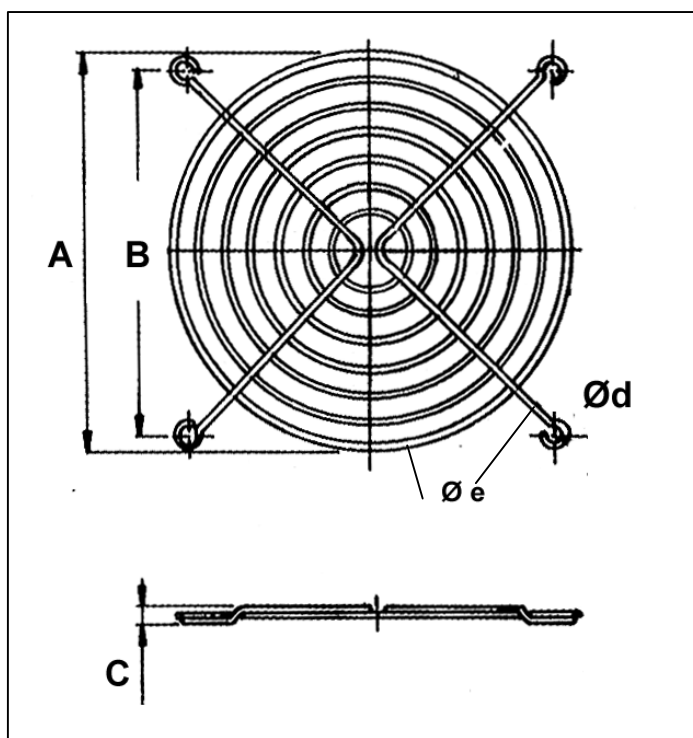
## Fan Guards

### Adda – Finger Guards

- Designed to ensure safe operation
- Comply with UL, CSA & TUV requirement

#### Specifications

Welded, nickel-chrome plated steel



Fan Size	Adda Ref No.	Dimensions (mm)					No. of Rings
		A	B	C	Ød (id)	Øe	
40 mm	MFG-4CM	39.1	33.3	3.8	4.6	1.4	2
60 mm	MFG-6CM	57.6	51.2	4.5	4.6	1.5	4
80 mm	MFG-8CM	79.1	72.9	5.7	4.6	1.7	5
92 mm	MFG-9CM	90.2	83.6	5.7	4.6	1.7	6
120 mm	MFG-12CM	115.5	105.6	5.7	4.6	1.7	8